

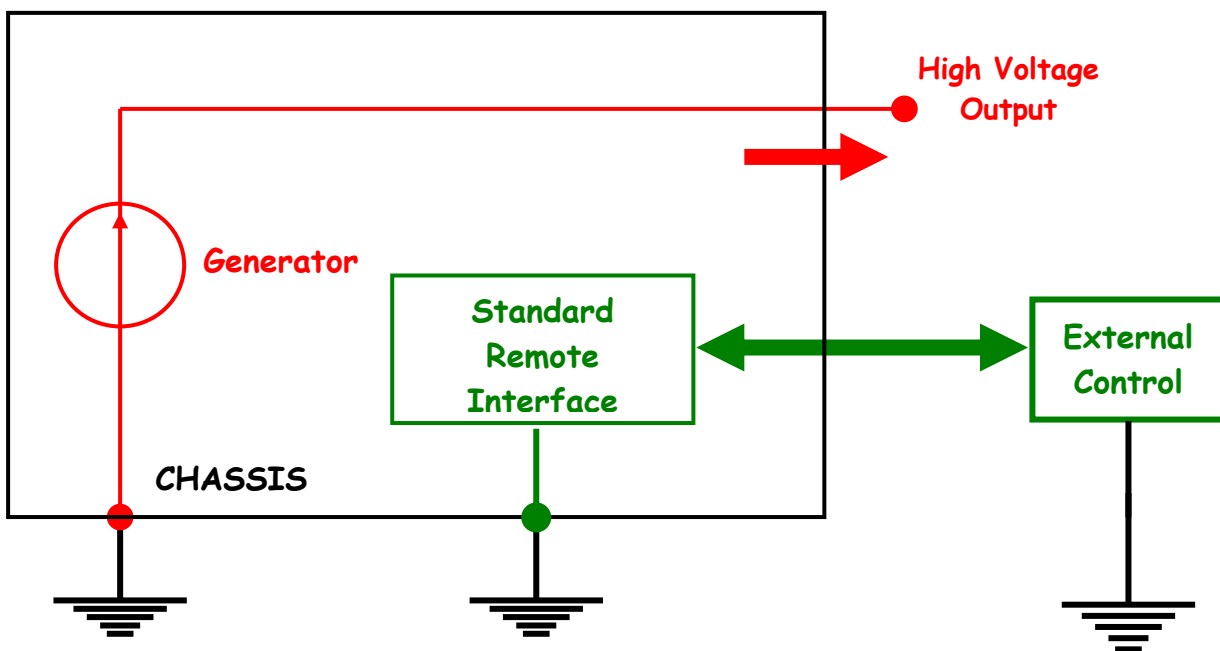
## REMOTE INTERFACES

Technix offers 3 different Remote Interfaces:

- With Standard Remote Interface the ground of the external control signals (0 Volt reference) is the same as Power Supply ground.
- With Insulated Remote Interface, 0 V reference of External Control is insulated from Chassis ground up to 500 V.
- With Optical Fiber, Isolated Remote Interface, 0 V reference of External Control is completely insulated from Chassis Ground.

### 1) Standard Remote Interface

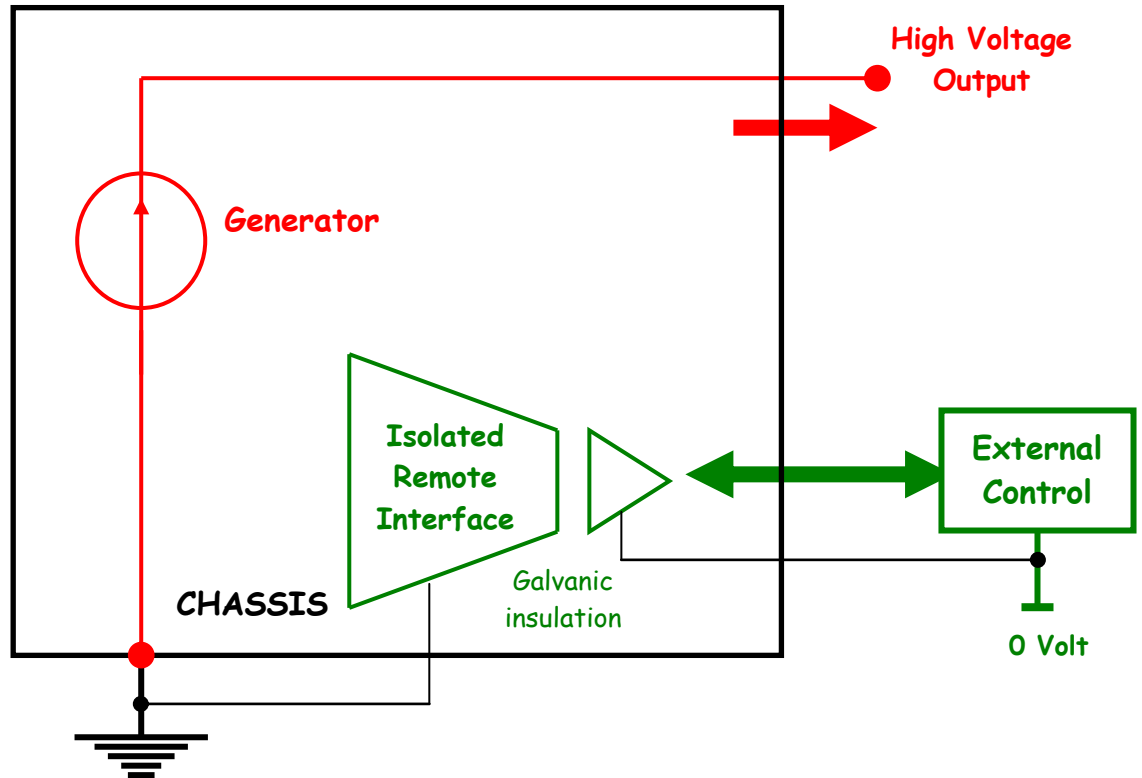
This is the standard Remote Interface we offer with our machine.  
External Control ground (0 V reference) is the same as Power Supply ground.



There is no insulation between Power Supply and External Control

## 2) Insulated Remote Interface:

With this option, 0 V reference of External Control is insulated from chassis ground up to 500 VDC.



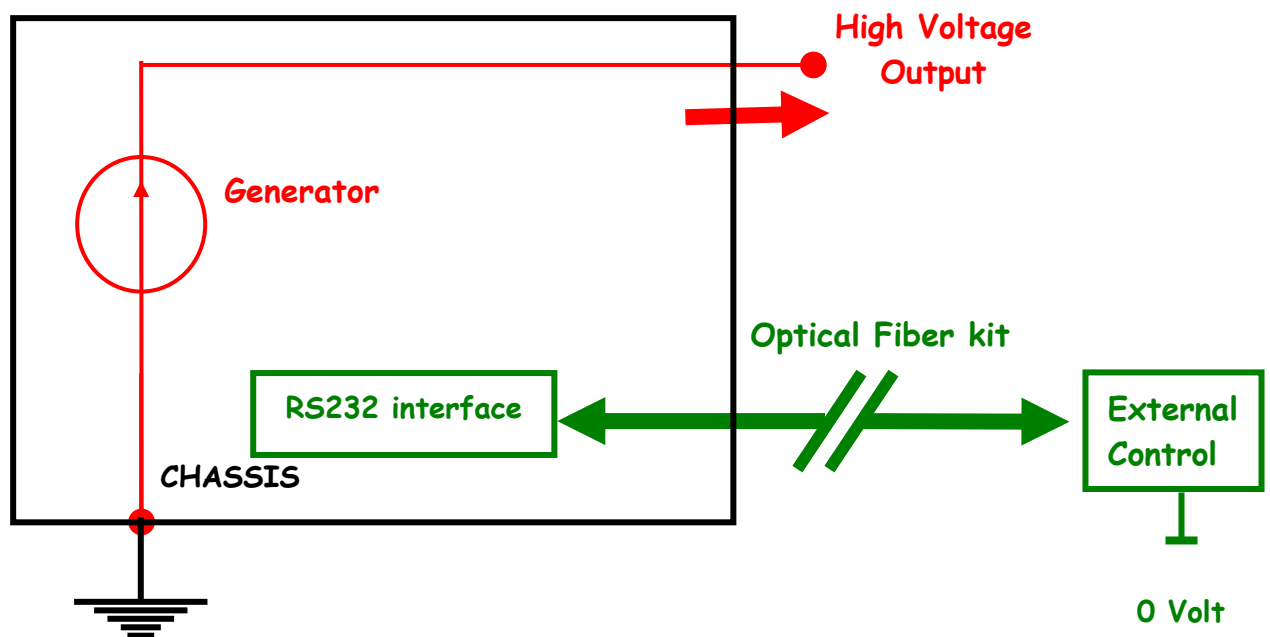
### Insulation between Power Supply and External control up to 500 Volts DC

Remark : Pin out of the connector of Insulated Remote Interface is the same as the pin out of the connector of Standard Remote Interface without 10 V Reference (pin 14)

Reference of this option : ISOREMOTE

### 3) Remote Interface insulated with optical fiber

With this option, 0 V reference of External Control is completely insulated from Chassis Ground ( insulation  $\gt$  100 kV/meter of fiber).



**Complete Insulation between Power Supply and its External control**

#### Reference of this option : FIBER OPTICS

Optical fiber kit consists in is 2 Transmitter/Receiver and 25 m optical cable.  
It has to be used in conjunction with RS232 interface (option : RS232).